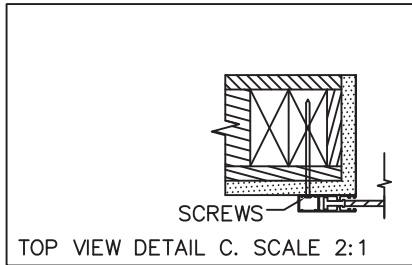


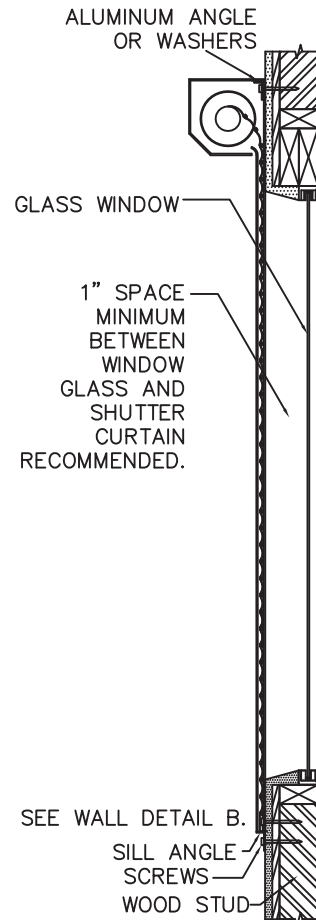
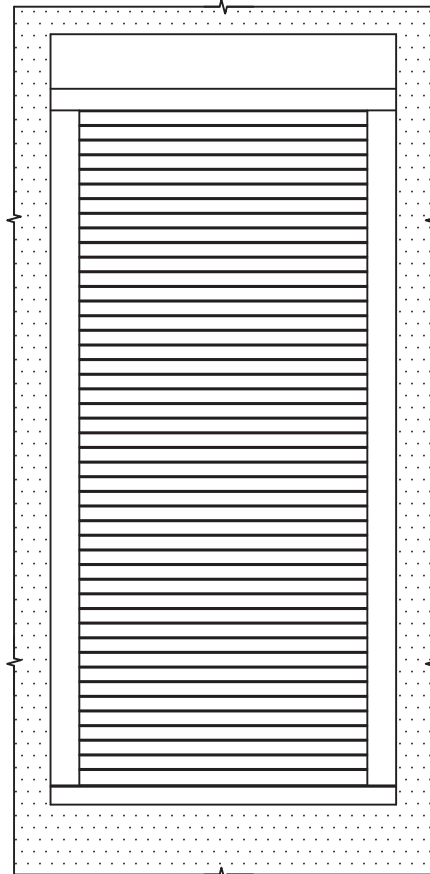
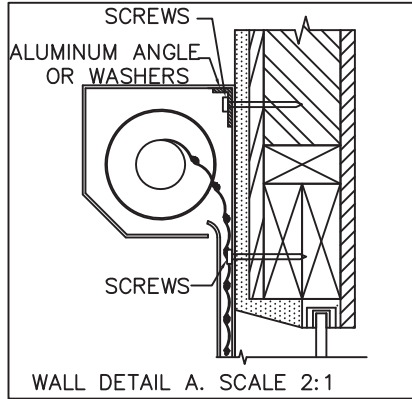
SINGLE UNIT INSTALLATION WALL MOUNT



TOP VIEW SHOWING CURTAIN AND RAILS.

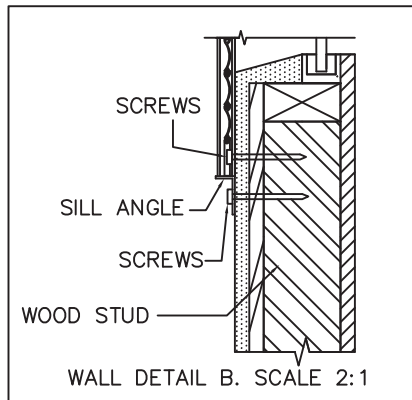
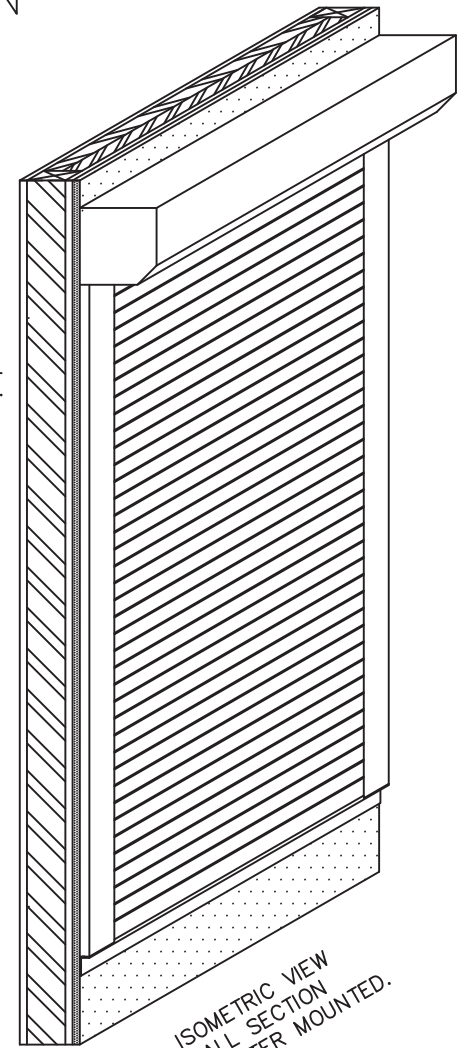


SEE TOP VIEW DETAIL C.



FRAMING
2" X 4"

SEE WALL
DETAIL A.



SIDE VIEW

NOTE: LEED CONSTRUCTION MAY CALL FOR ADDITIONAL CONSIDERATIONS.

NOTE: FOR INSTALLATION INSTRUCTIONS PLEASE GO TO CHICAGONE.COM

NOTE: HEIGHT AND WIDTH OF SHUTTER TO BE DETERMINED ON A PER INSTALLATION BASIS. CALL CHICAGONE FOR MORE DETAILS



2044 W 163rd Street
Markham IL 60428
PH: 1866-783-2105
Fax: 773-783-2155