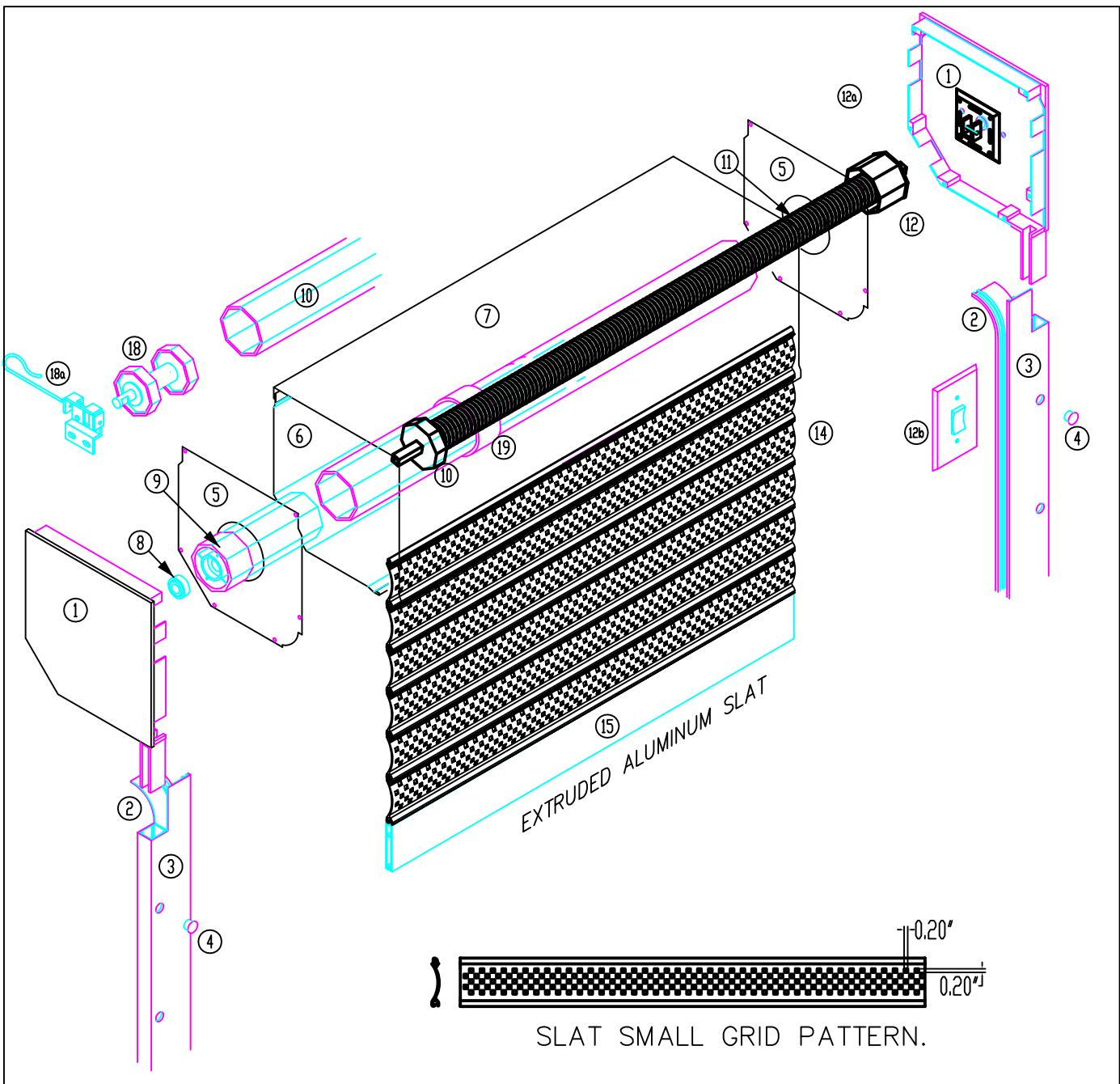


SPRING COUNTERBALANCE ROLLING SHUTTER - Maxi System



- ① Side/End Cap
- ② Entry Funnel
- ③ Side/Guide Rail
- ④ Plug Button
- ⑤ Safety Plate
- ⑥ Housing (Front/Bottom) 6'-12"
- ⑦ Housing (Top/Back) 6'-12"
- ⑧ Ball Bearing

- ⑨ Idler Insert (PVC)
- ⑩ 60/70 mm Axle (Galvanized/Aluminum)
- ⑪ Spring Counterbalance Assembly
- ⑪a
- ⑪b
- ⑫ Spring Counterbalance Bracket
- ⑫a
- ⑫b Switch

- ⑬ Springlock Hanger
- ⑭ RLL 59 Small Grid Slat
- ⑮ Base Slat
- ⑯
- ⑰
- ⑱ Idler (PVC)
- ⑲a Idler Bracket (Steel)
- ⑲b Axle Ring - PVC or Alum. (Optional)



2044 W 163rd Street
Markham IL 60428
PH: 1866-783-2105
Fax: 773-783-2155