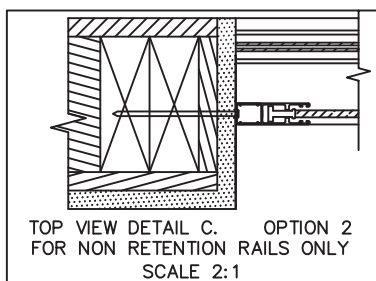
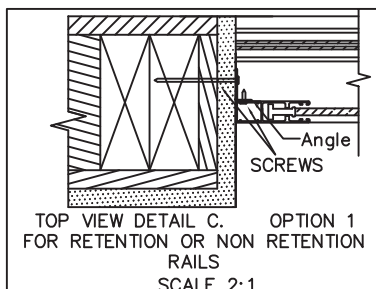
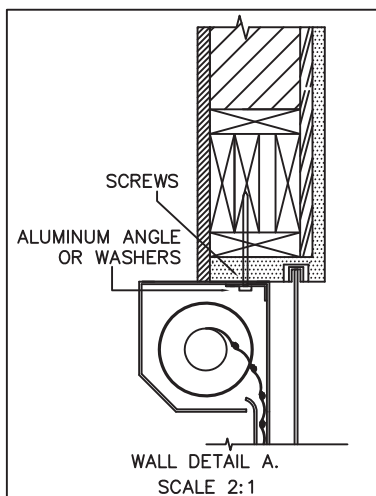
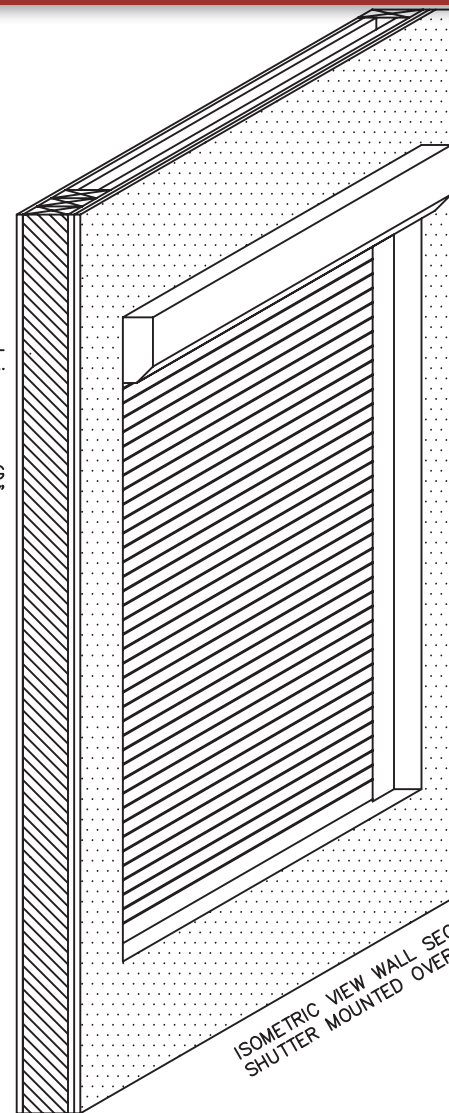
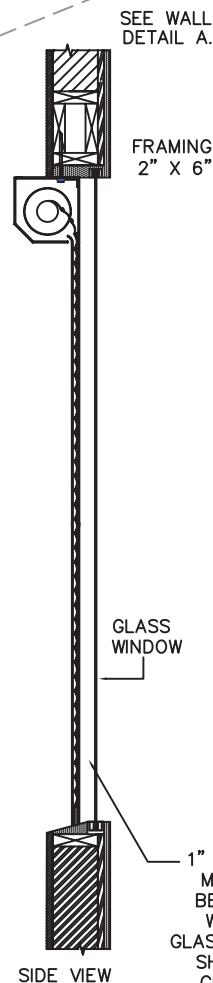
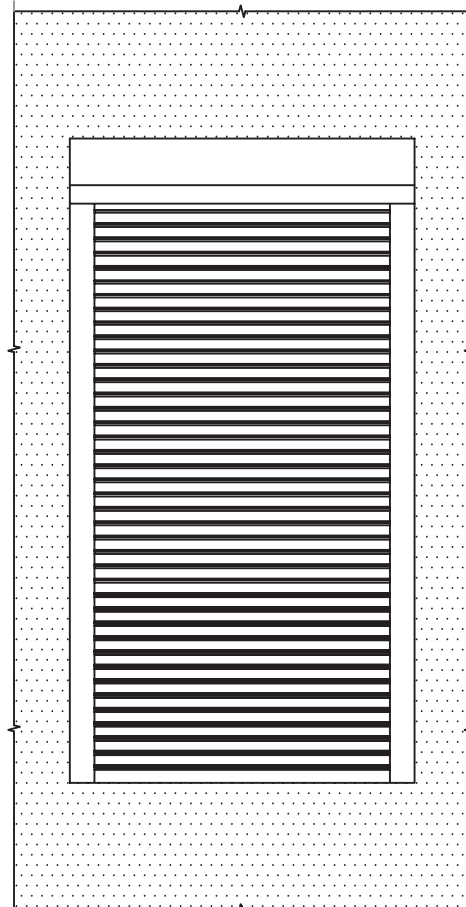


# SINGLE UNIT INSTALLATION INSIDE MOUNT OVER GLASS



SEE TOP VIEW  
DETAIL C.  
OPTIONS 1 AND 2



NOTE: LEED CONSTRUCTION MAY CALL FOR  
ADDITIONAL CONSIDERATIONS.

NOTE: FOR INSTALLATION INSTRUCTIONS  
PLEASE GO TO CHICAGONE.COM

NOTE: HEIGHT AND WIDTH OF SHUTTER  
TO BE DETERMINED ON A PER INSTALLATION  
BASIS. CALL CHICAGONE FOR MORE DETAILS



Lock Section Detail

2044 W 163rd Street  
Markham IL 60428  
PH: 1866-783-2105  
Fax: 773-783-2155