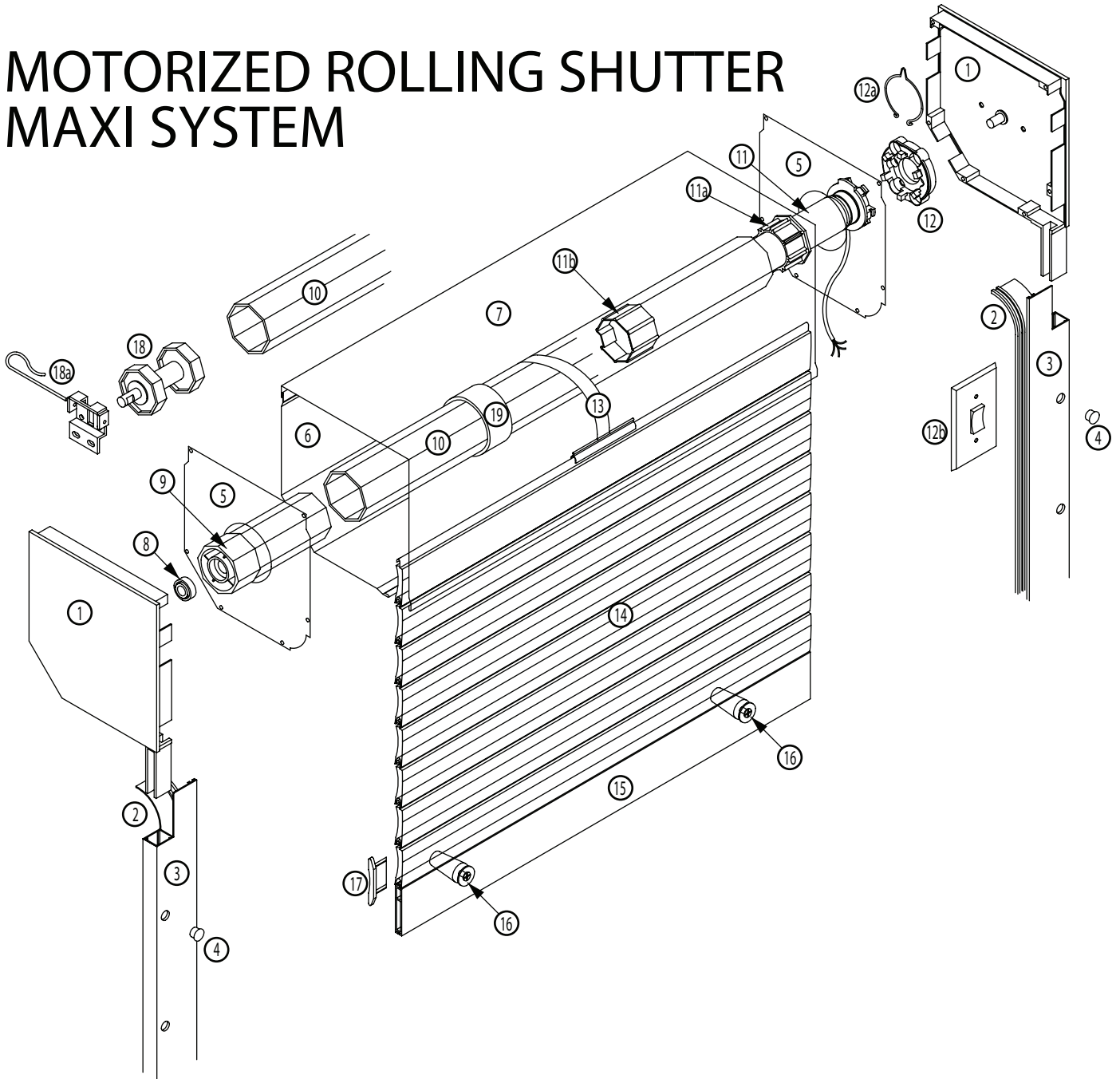


MOTORIZED ROLLING SHUTTER MAXI SYSTEM



- | | |
|--|--|
| 1. side / end cap | 11b. drive |
| 2. entry funnel | 12. motor bracket |
| 3. side / guide rail | 12a. spring ring |
| 4. plug button | 12b. switch |
| 5. safety plate | 13. springlock hanger |
| 6. housing (front / bottom) 6"-12" | 14. aluminum / PVC slats |
| 7. housing (top / back) 6"-12" | 15. base slat |
| 8. ball bearing | 16. exterior nylon stop |
| 9. idler insert (PVC) | 17. side lock |
| 10. 60 / 70mm axle (galvanized / aluminum) | 18. idler (PVC) |
| 11. tubular motor | 18a. idler bracket (steel) |
| 11a. crown | 19. axle ring - PVC or aluminum (opt.) |

Motorized control offers the most flexibility. Switches can be operated with keys or numerical keypads. Timers, sun and wind sensors can control the shutter. A manual override is available for emergencies. Lifting Capacity : 350 lbs