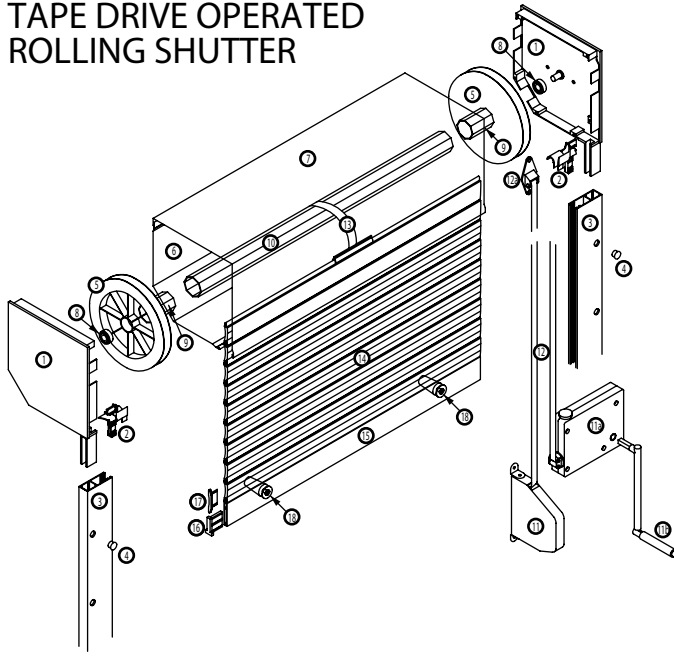


CUT SHEETS

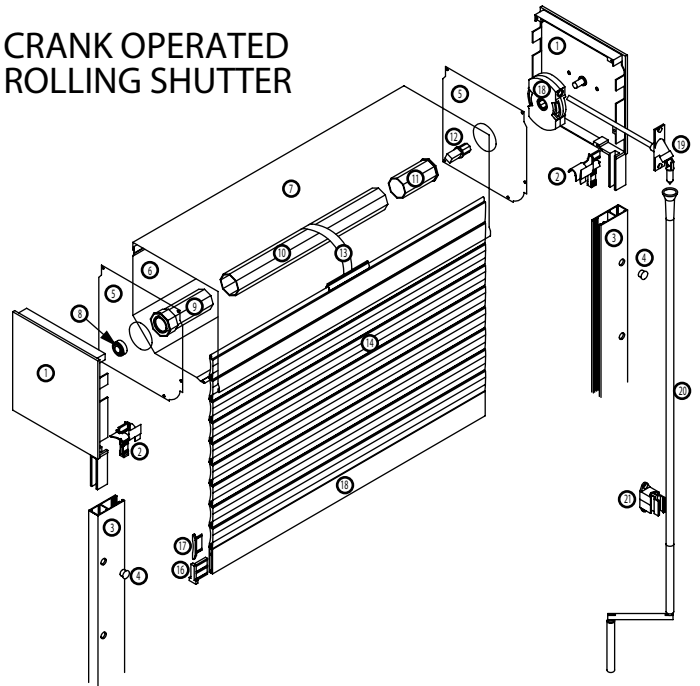
TAPE DRIVE OPERATED ROLLING SHUTTER



- | | |
|---------------------------------------|-------------------------------------|
| 1. side / end cap | 11a. mini tape crank box |
| 2. entry guide | 11b. crank handle |
| 3. guide rail | 12. tape |
| 4. plug button | 12a. tape guide |
| 5. pulley | 13. springlock hangar |
| 6. housing (front / bottom) 6"-12" | 14. aluminum / PVC slats |
| 7. housing (top / back) 6"-12" | 15. base slat |
| 8. ball bearing | 16. interior nylon stop |
| 9. idler insert (PVC) - telescopic | 17. side lock (optional) |
| 10. 40mm axle (galvanized / aluminum) | 18. exterior nylon strap (optional) |
| 11. mini recoil box | |

Shutter is operated manually by pulling a polypropylene strap (14mm / 0.55" x 1.2mm / 0.05"). The strap box contains a spring-loaded wheel to take up the slack when the shutter is raised. Lifting Capacity: 25 - 60 lbs

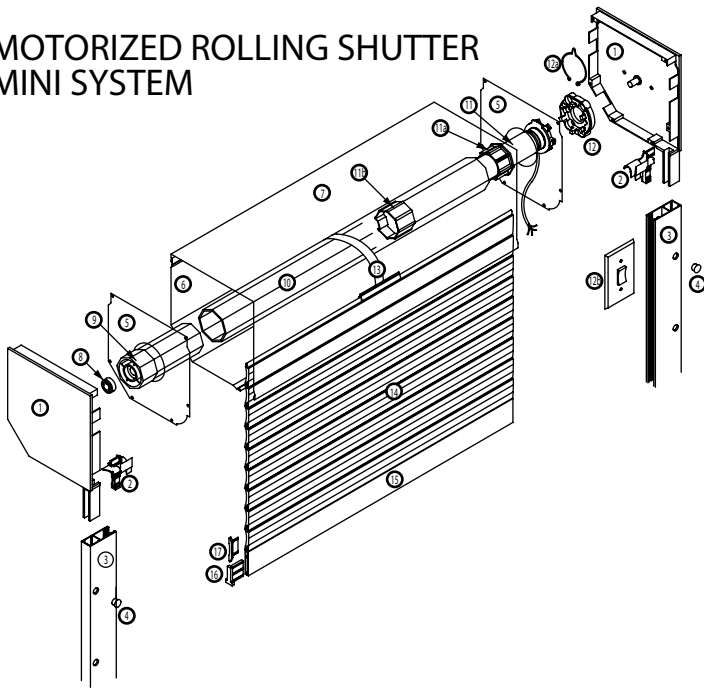
CRANK OPERATED ROLLING SHUTTER



- | | |
|--|-----------------------------|
| 1. side / end cap | 12. gear connector |
| 2. entry guide | 13. springlock hangar |
| 3. guide rail | 14. aluminum / PVC slats |
| 4. plug button | 15. base slat |
| 5. safety plate | 16. interior nylon stop |
| 6. housing (front / bottom) 4"-10" | 17. side lock (optional) |
| 7. housing (top / back) 4"-10" | 18. gear |
| 8. ball bearing | 19. universal |
| 9. idler insert (PVC) | 20. crank handle |
| 10. 40 / 60mm axle (galvanized / aluminum) | 21. crank holder (optional) |
| 11. gear insert | |

Crank operating systems allow for handling significantly heavier shutters. The gears are available in various reductions (1:5, 1:7, 1:8, 1:10, 1:11, 1:13, 1:15) and materials (Zamac metal, aluminum, plastic). The crank can be removed and stored away. Lifting Capacity: 71 lbs

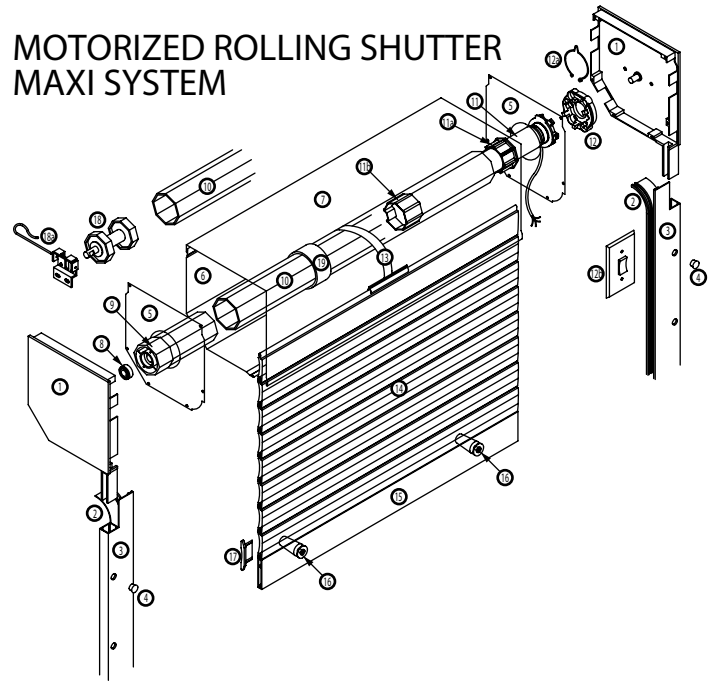
MOTORIZED ROLLING SHUTTER MINI SYSTEM



- | | |
|--|--------------------------|
| 1. side / end cap | 11a. crown |
| 2. entry guide | 11b. drive |
| 3. guide rail | 12. motor bracket |
| 4. plug button | 12a. spring ring |
| 5. safety plate | 12b. switch |
| 6. housing (front / bottom) 6"-12" | 13. springlock hanger |
| 7. housing (top / back) 6"-12" | 14. aluminum / PVC slats |
| 8. ball bearing | 15. base slat |
| 9. idler insert (PVC) | 16. interior nylon stop |
| 10. 60 / 70mm axle (galvanized / aluminum) | 17. side lock |
| 11. tubular motor | |

Motorized control offers the most flexibility. Switches can be operated with keys or numerical keypads. Timers, sun and wind sensors can control the shutter. A manual override is available for emergencies. Lifting Capacity: 350 lbs

MOTORIZED ROLLING SHUTTER MAXI SYSTEM



- | | |
|--|--|
| 1. side / end cap | 11b. drive |
| 2. entry funnel | 12. motor bracket |
| 3. side / guide rail | 12a. spring ring |
| 4. plug button | 12b. switch |
| 5. safety plate | 13. springlock hanger |
| 6. housing (front / bottom) 6"-12" | 14. aluminum / PVC slats |
| 7. housing (top / back) 6"-12" | 15. base slat |
| 8. ball bearing | 16. exterior nylon stop |
| 9. idler insert (PVC) | 17. side lock |
| 10. 60 / 70mm axle (galvanized / aluminum) | 18. idler (PVC) |
| 11. tubular motor | 18a. idler bracket (steel) |
| 11a. crown | 19. axle ring - PVC or aluminum (opt.) |